

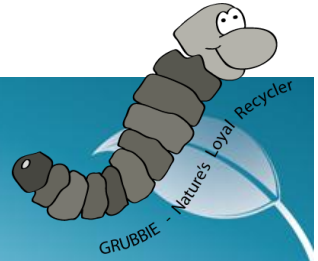


GNZ

BIOPOD™ Plus

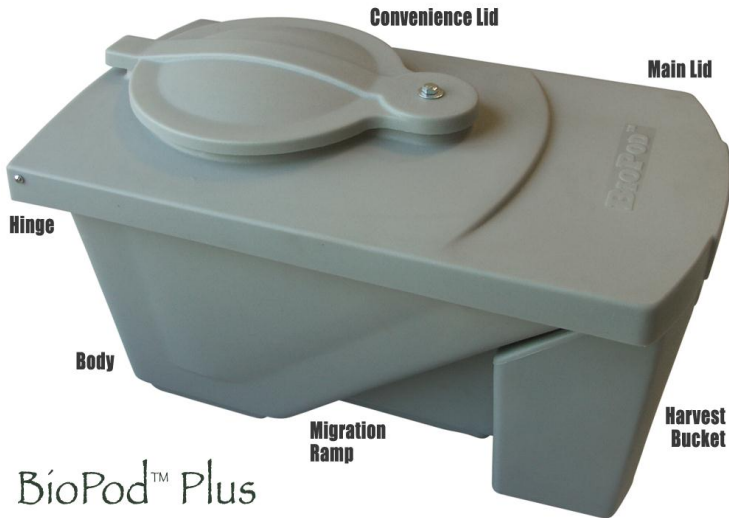
UPDATED!

For 2012



THE GRUB COMPOSTER: Grow your own living food on nothing more than kitchen and food scraps!

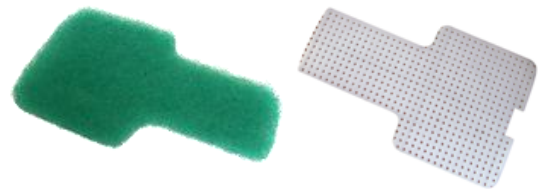
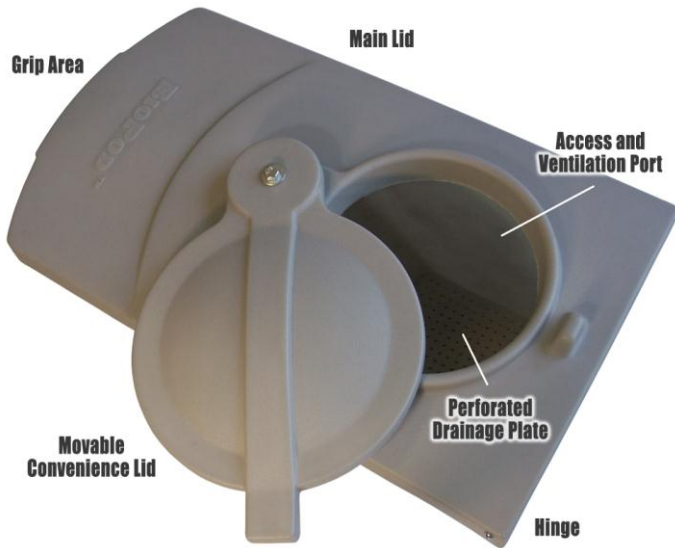
PICTURES



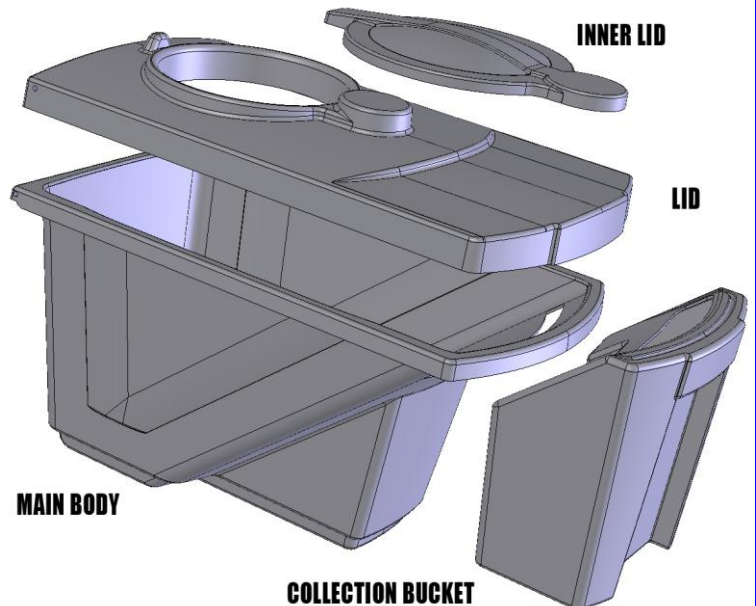
BioPod™ Plus



Internal View



Drainage Pad and Base Plate



SPECS AT A GLANCE

- 26.5" long x 15.5" wide x 16" tall
- 10 gallon capacity (38 liters)
- 294 in² (1895 cm²) surface area
- Empty unit weighs 8.6 lbs (3.9 kg)
- 8 years of product development & testing
- Made responsibly with pride in Texas
- Heavy duty, roto-molded construction
- UV stabilized polypropylene plastic
- 1 year warranty on parts and repair
- 10-15 minute assembly

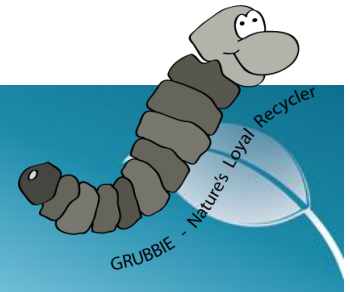


GNZ

BIOPOD™ Plus

UPDATED!

For 2012



THE GRUB COMPOSTER: Grow your own living food on nothing more than kitchen and food scraps!

Newest Breakthrough Technology

The new **BioPod™ Plus** is the latest technology to hit the home composting market. Almost a decade of R&D, combined with thorough testing on 3 different continents, has produced the next generation of bioconversion units.

Uber-Fast Composting: 24-36 hours

While many compost bins can take 6-12 months to break down their contents into usable humus, the **BioPod™ Plus** eliminates most of your food scraps in as little as 1-2 days using a naturally occurring, beneficial organism traditionally found in many compost and worm bins. The **BioPod™ Plus** optimizes the instinctual abilities of this species, rapidly creating a live feed more valuable than ordinary compost.

The Future of Recycling: Prota™ Composting

This enhanced form of composting is referred to as Prota™ Composting, the method by which valuable molecules, specifically proteins and lipids, are recycled back into living feed in the form of usable biomass. The signature decomposer is *Hermetia illucens*, a harmless, native arthropod that does not sting, bite or transmit disease. The juvenile form of these robust recyclers is referred to as Soldier Grubs and the device in which they reside is called a Grub Composter.

Valuable Finished Products: 5:1 Production Rate

A working **BioPod™ Plus** can easily handle the daily food scraps produced by a large family – up to 5 lbs/day. It even digests manure. For every 100 lbs of kitchen scraps you will obtain approx. 5 lbs of friable castings, a few quarts of nutritious compost tea, and approx. 15-20 lbs of self-harvesting Soldier Grubs - which are the ultimate live food for fish, exotic pets, and poultry.

Complements Existing Compost & Worm Bins

The **BioPod™ Plus** is not designed for yard waste, but it will keep the critters out of your compost bin by diverting all the food scraps away from your active pile. The remaining compost mixture serves as the perfect worm bin food, allowing you to make voluminous quantities of nutritious vermi-castings faster than stand-alone redworm systems.

FEATURES

- Natural appearance blends in with existing landscaping
- Pair of angled migration ramps lead to harvest slit, allowing for self-separation of grubs from active pile
- Removable harvest bucket with handle collects mature grubs
- Circular, protective lid provides female entry for egg laying
- Aerobic conditions are accomplished via convection currents through drop slit in main body, bucket, and gaps between lids
- Perforated base plate, paired with a reusable poly-mesh drainage pad, allow liquid compost tea to drain away into a separate bottom catchment area for future collection
- Tea is emptied using drainage fittings attached to rear port
- Rounded edges throughout for improved safety & stability
- Weather-resistant design protects contents from elements
- Durable, roto-molded construction ensures long life span
- Top lip of body fully surrounds unit, minimizing escape

BENEFITS

GREAT FOR THE ENVIRONMENT & POSTERITY

- Divert and digest all of your food scraps from the garbage bin, insinkerator, or compost pile
- Helps reduce your carbon footprint by reusing your garbage
- Family-Friendly: provide your kids with an education in sustainability, science, recycling and organic gardening
- Designed to be naturally seeded by female *Hermetia* adults present locally (or by the addition of starter grubs)

GREAT FOR THE GARDENER & HOBBY FARMER

- Re-capture the valuable lipids, simple sugars and proteins found in your kitchen waste back into usable food for pets, domesticated animals and wildlife
- Use the rich, friable compost (grub castings) in the greenhouse, potted plants or garden
- The remaining, undigested material (mostly composting plant material) serves as the ultimate worm bin food – add it to a worm bin and produce worm castings faster than normal
- For harvesting smaller grubs, an electric heating pad may be utilized to encourage premature crawl off of juveniles
- Beneficial soldier grubs are self-separating, auto-harvesting, robust, hardy, indigenous, easy-to-store, dry-to-the-touch in pupal stage, and a highly nutritious animal feed
- Use the liquid tea as a nutritious plant fertilizer or as a means of attracting adult females to a second pod
- Freeze your excess grub harvest for use in winter months

GNZ-GesmbH

Making Waste Our Greatest Resource

European Office

Franz-Liszt Gasse 4
7123 Mönchhof
AUSTRIA

Sales Contact

Email biopod@gnz-group.eu
Phone 0043 664 7348 7182
fax 0043 810 9554 2616 08

www.gnz-group.eu

